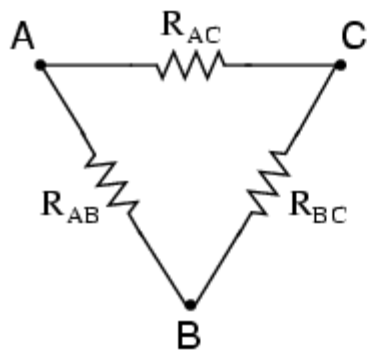
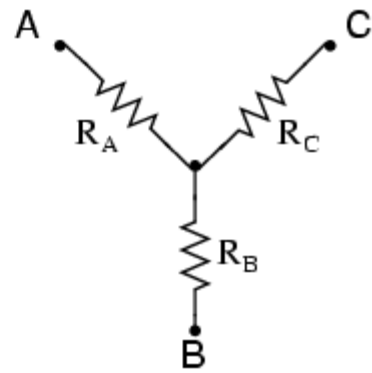


Delta (Δ) network



Wye (Y) network

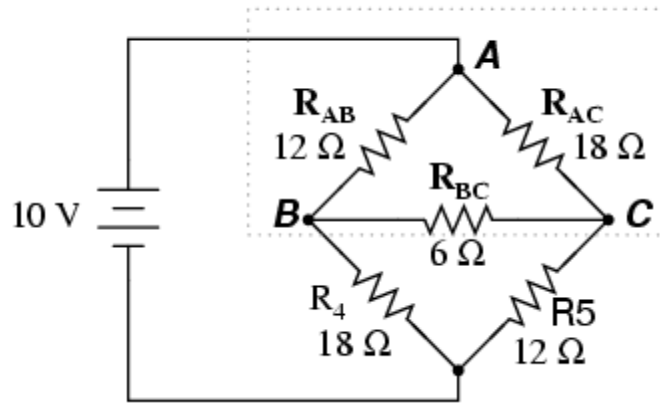


Write down the formula for conversion of

Delta \rightarrow Y

Y \rightarrow delta

Selecting Delta (Δ) network to convert:

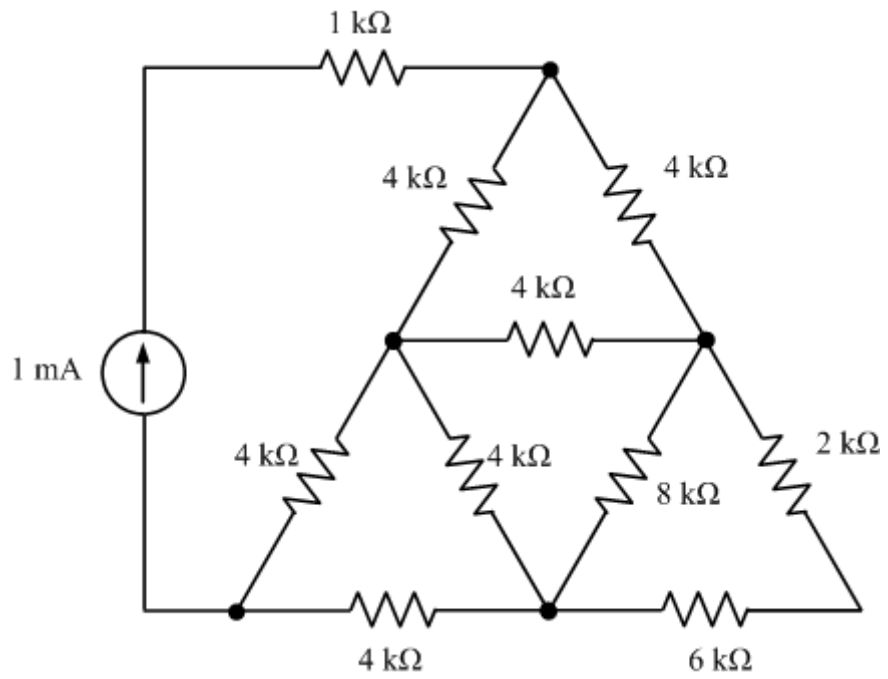


Fill the Boxes

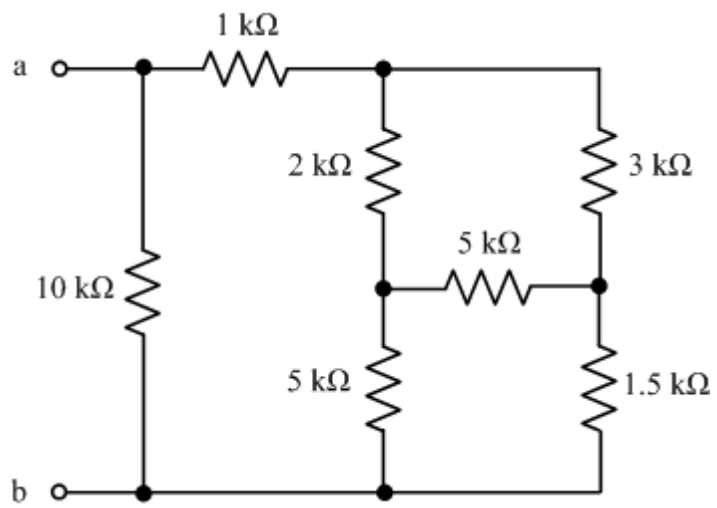
	R_A	R_B	R_C	R_4	R_5	
E						Volts
I						Amps
R						Ohms

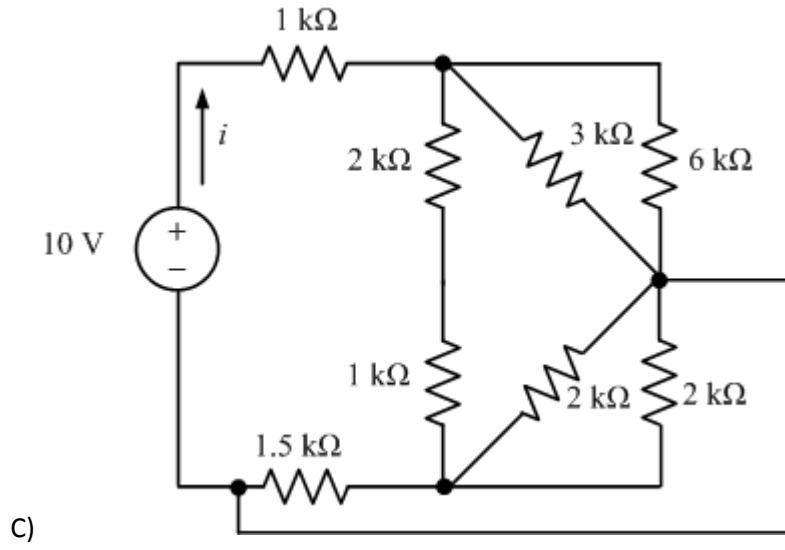
Find Total Resistance

a)



b)





c)