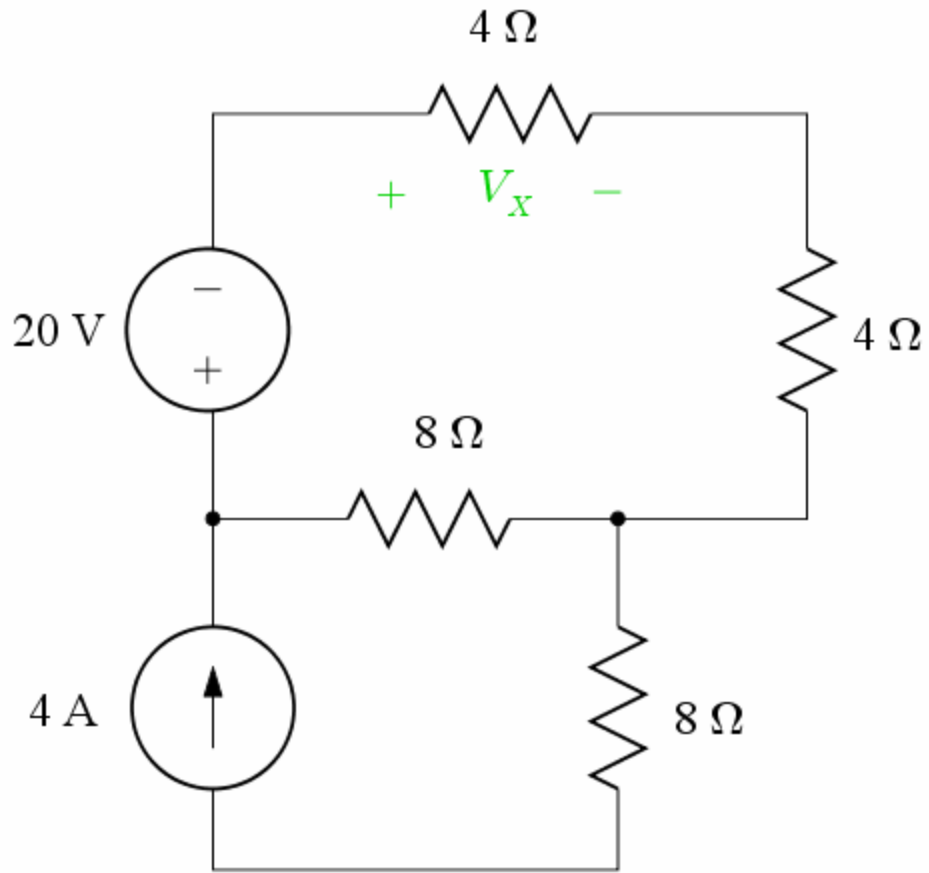


Use superposition to determine the voltage V_x . State which source influences V_x the most.



Use superposition to determine the voltage V_x .

