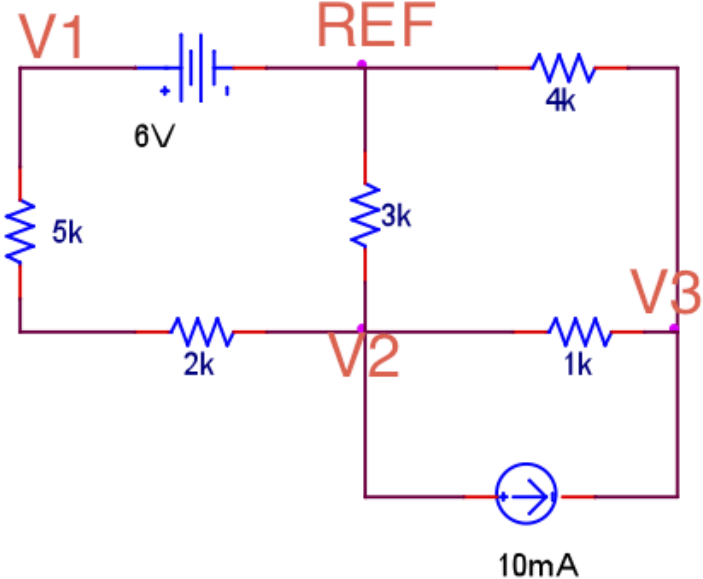
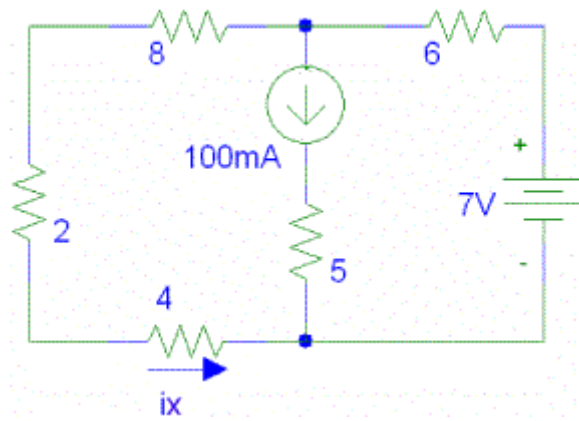


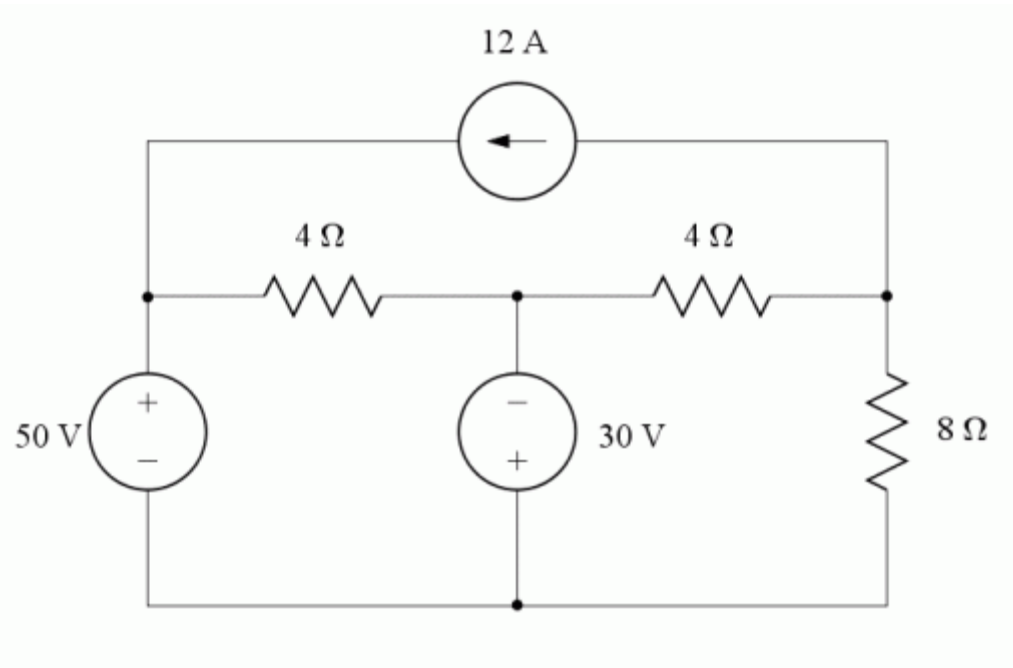
Solve Using Mesh Analysis



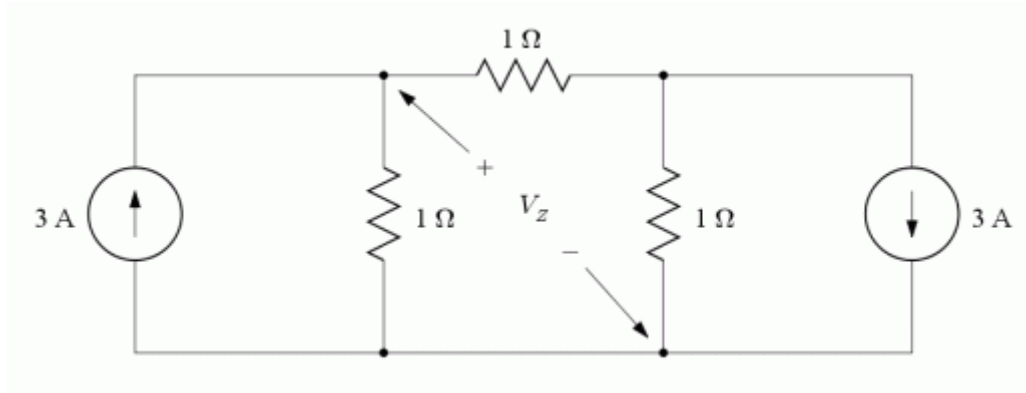
Solve



termine all of the mesh currents in the circuit.



Use mesh current analysis to find V_z .



Determine all of the mesh currents in the circuit.

